

# FAN-TASTIC VENT®

Brings the Outside in... Instantly®

## Models 4000R & 5000RBT Parts Explosion

ITEM #	PART #	DESCRIPTION
#1	1020-__	Polycarbonate Dome , Smoke Standard -19 Available in Clear -00, White Luran (Opaque) -81 & White Translucent -82
#1A	1023-05	Dome Slide w/ Screws - Attached
#1B	1021-05	Hinge w/ Rivets - Attached Replacement Shipped as K1020-__ (00, 19, 81 or 82)
#1 option	K2020-__	Available as Insulated Dome (3/8" Air Space, Hermetic Seal - Chemically Welded) All Colors (00, 19, 81 or 82)
#2	4016-09	12 Volt DC, Can or Pancake Style Fan Motor <small>(Can shown)</small>
#2A	1015-00	Clear Bowtie (Polycarbonate Motor Mount)
#2B	1138-00	Clear Fanblade (Our Trademark 12" - 10 Blade) Replacement Motor Shipped as K4016-09 (Inc's 2A&B)
#3	1010-81	Low Profile Main Base "Standard" (16 Screws) Designed for Roof Thickness 1 3/4" & Thicker
#3A	1144-09	Rubber Dome Seal (Black EPDM, 4 1/2' Long)
#3 option	1010-81	High Profile Main Base (28 Screws) for Thin Roof Coaches Down to 1" Minimum. Any Fan-Tastic Vent Can Be Ordered High Profile. <b>Note:</b> If Low Profile Fan Installed into Thin Roof See & Order Part #12A (5/8" Garnish Filler)
#4	1122-05	Dome Switch (7/16" Nut Microswitch w/Self Tapping Threads
#5	1011-05	Manual Lift Arm w/ Screws
#6	1031-05	3 Speed and Off-Resistor Switch w/ Thermal Link
#6A	1033-09	3 Speed Label - Black Polycoat 0, 1, 2, 3
#6B	1032-05	3 Speed Set Nut - 9/16" (7/16 x 28 Unef, Zinc Steel)
#6C	1034-__	Soft Touch Knob - Push On, Specify Insert Color; Off White -80, or White -81
#7	9018-09	Snap-In Fuse Holder w/ 1/4 Turn Cap & 4 Amp Fuse <b>Note:</b> Fast Acting Fuse Standard, Slow Burn May Be Substituted
#7A	8948-00	4 Amp Slow Burn Fuse
#8	9001-09	Black, In/Out Center Off Reversing Switch, DPDT w/ Built-In Cross Overs
#9	1140-09	Black, Dome Raising Knob
#9A	2143-05	Zinc Extension, 1 1/8"
#9B	1142-05	Knob Screw (8-32 x 1 3/4" Phil. Pan. Machine Screw) Replacement Knob Shipped as K1140-09 (Inc's 9A & 9B)
#10	9006-05	Built-In T-Stat (Copper Capillary Style) 22° to 123°F Temperature Range
#10A	9957-09	T-Stat Label, Dial Blue to Red (Cool to Warm) Poly Coated
#10B	1034-__	Soft Touch Knob - See 6C
#11	1030-__	Interior Screen Assembly, Off-White -80, White -81
#11A	2035-81	Pop 'N Lock Screen (no screws), w/ Aluminum Epoxy Screen. Specify Color, Off-White -80, White -81 Replacement Assemblies Shipped as K1230-__ for Model 4000R & K1240-__ for 5000RBT Fans. (Kits include Switches, Wire, Labels, Knob's & 11A Complete w/ Schem- atic for Repair or Upgrading Less Featured OEM Fans.) K-1230-__ K-1240-__
#12	2040-__	4 1/2" Interior Garnish w/ Screws - Trimmable Specify Color, Off-White -80, White -81
#12A	2041-__	Garnish filler, 5/8", Specify Color, Off-White -80, White -81, for use with Trimmed #12
#12 option1	1040-__	1 7/8" Garnish for Thin Roof - Trimmable
#12 option2	1060-__	6" Garnish for Deep Roof - Trimmable

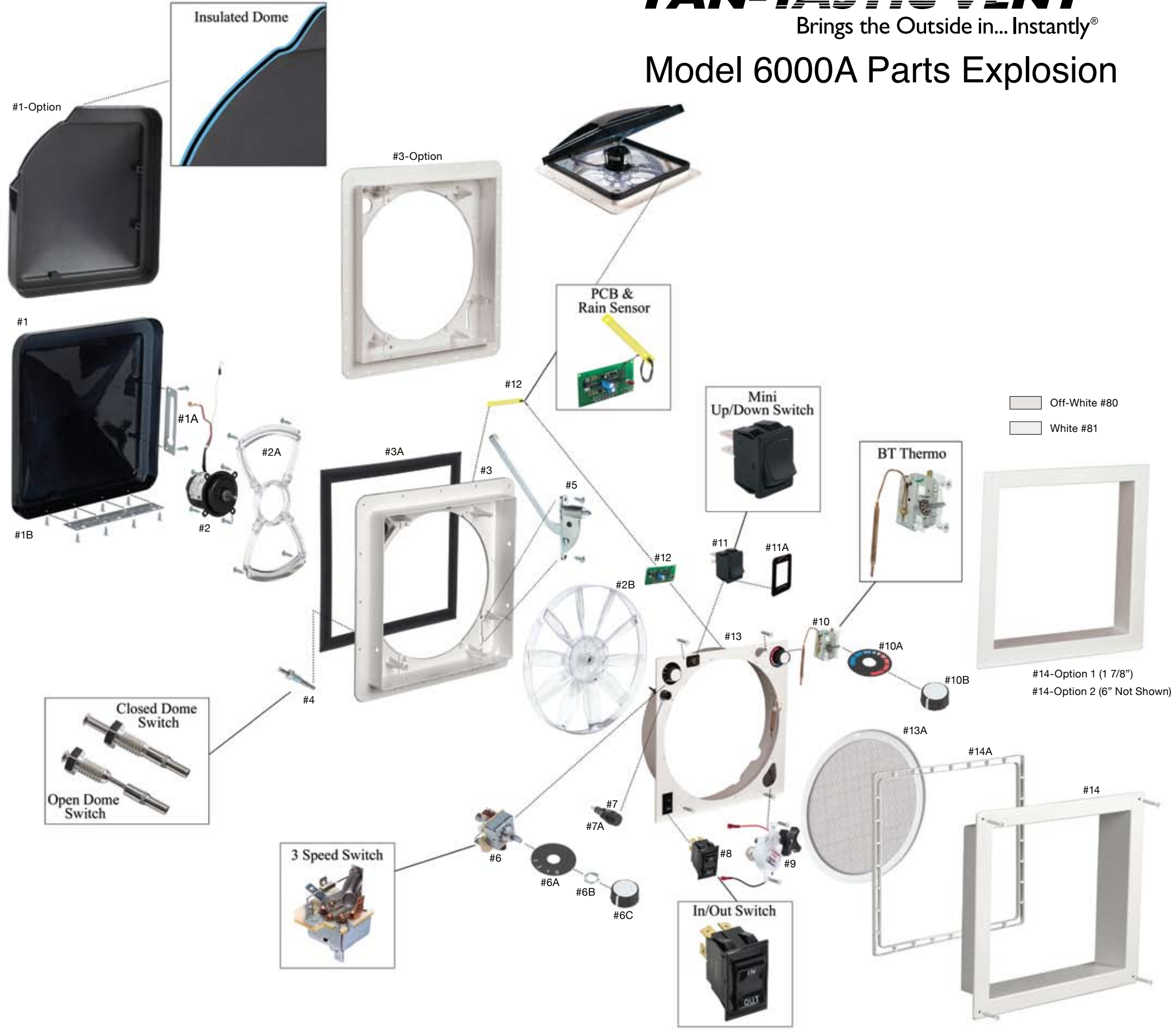


# FAN-TASTIC VENT®

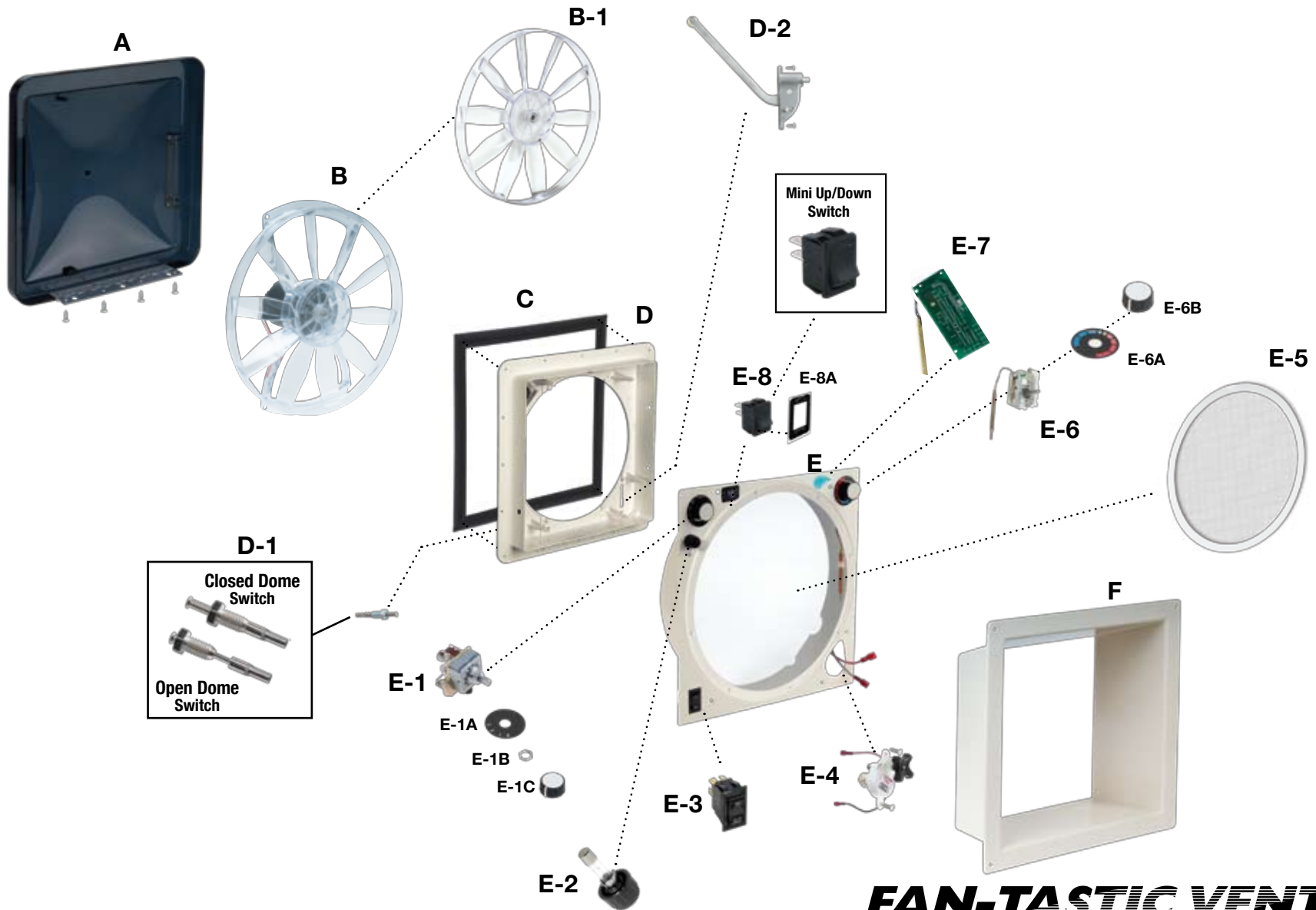
Brings the Outside in... Instantly®

## Model 6000A Parts Explosion

ITEM #	PART #	DESCRIPTION
#1	1020-__	Polycarbonate Dome , Smoke Standard -19 Available in Clear -00, White Luran (Opaque) -81 & White Translucent -82
#1A	1023-05	Dome Slide w/ Screws - Attached
#1B	1021-05	Hinge w/ Rivets - Attached
	K1020-__	Replacement Dome Shipped as K1020-__ (00, 19, 81 or 82)
#1 Option	K2020-__	Available as Insulated Dome (3/8" Air Space, Hermetic Seal - Chemically Welded) All Colors (00, 19, 81 or 82)
#2	4016-09	12 Volt DC, Can or Pancake Style Fan Motor <small>(Can shown)</small>
#2A	1015-00	Clear Bowtie (Polycarbonate Motor Mount)
#2B	1138-00	Clear Fanblade (Our Trademark 12" - 10 Blade) Replacement Motor Shipped as K4016-09 (Inc's #2A&B)
#3	1010-81	Low Profile Main Base "Standard" (16 Screws) Designed for Roof Thickness 1 3/4" & Thicker
#3A	1144-09	Rubber Dome Seal (Black EPDM, 4 1/2' Long)
#3 Option	1010-81	High Profile Main Base (28 Screws) for Thin Roof Coaches Down to 1" Minimum. Any Fan-Tastic Vent Can Be Ordered High Profile. <b>Note:</b> If Low Profile Fan Installed into Thin Roof See & Order Part #12A (5/8" Garnish Filler)
#4	1122-05	Dome Switch (7/16" Nut Microswitch w/Self Tapping Threads)
#5	2011-05	Auto Lift Arm w/ Screws
#6	1031-05	3 Speed and Off-Resistor Switch w/ Thermal Link
#6A	1033-09	3 Speed Label - Black Polycoat 0, 1, 2, 3
#6B	1032-05	3 Speed Set Nut - 9/16" (7/16 x 28 Unef, Zinc Steel)
#6C	1034-__	Soft Touch Knob - Push On, Specify Insert Color; Off White -80, or White -81
#7	9018-09	Snap-In Fuse Holder w/ 1/4 Turn Cap & 4 Amp Fuse <b>Note:</b> Fast Acting Fuse Standard, Slow Burn May Be Substituted
#7A	8948-00	4 Amp Fuse
#8	9001-09	Black, In/Out Center Off Reversing Switch, DPDT w/ Built- In Cross Overs
#9	6050-__	NAT Lift Motor & Screws, Off-White -80, White -81
#10	9006-05	Built-In T-Stat (Copper Capillary Style) 22° to 123°F Temperature Range
#10A	9957-09	T-Stat Label, Dial Blue to Red (Cool to Warm) Poly Coated
#10B	1034-__	Soft Touch Knob - See 6C
#11	K9033-09	Mini Up/Down Switch w/ Label
#11A	K9031-09	Mini Up/Down Label
#12	9025-90	103J, PCB Circuit Board & Rain Sesnor
#13	1030-__	Interior Screen Assembly, Off-White -80, White -81
#13A	2035-81	Pop 'N Lock Screen (no screws) White, w/ Aluminum Epoxy Screen Specify Color, Off-White -80, White -81
	K6200-__	Replacement Assembly Kit Shipped as K-6200 -80 or -81 Kit Consists of 1030- (#13) w/1035- (#13A) & All Switches and Knobs (#6, #6B, #6C, #8, #10, #10B, #11) Labels (#6A, #10A, #11A), PCB (#12), Auto Lift Motor (#9) & Auto Lift Arm (#5) Fuse and Holder (#7, #7A ). Completely Prewired w/ Schematic, for Installation as a Repair or Upgrade Kit.
#14	2040-__	4 1/2" Interior Garnish w/ Screws - Trimmable Specify Color, Off-White -80, White -81
#14A	2041-__	Garnish filler, 5/8", Specify Color, Off-White -80, White -81, for use with Trimmed #12
#14 Option1	1040-__	1 7/8" Garnish for Thin Roof - Trimmable
#14 Option2	1060-__	6" Garnish for Deep Roof - Trimmable



# Model 6000RBTA



**FAN-TASTIC VENT®**

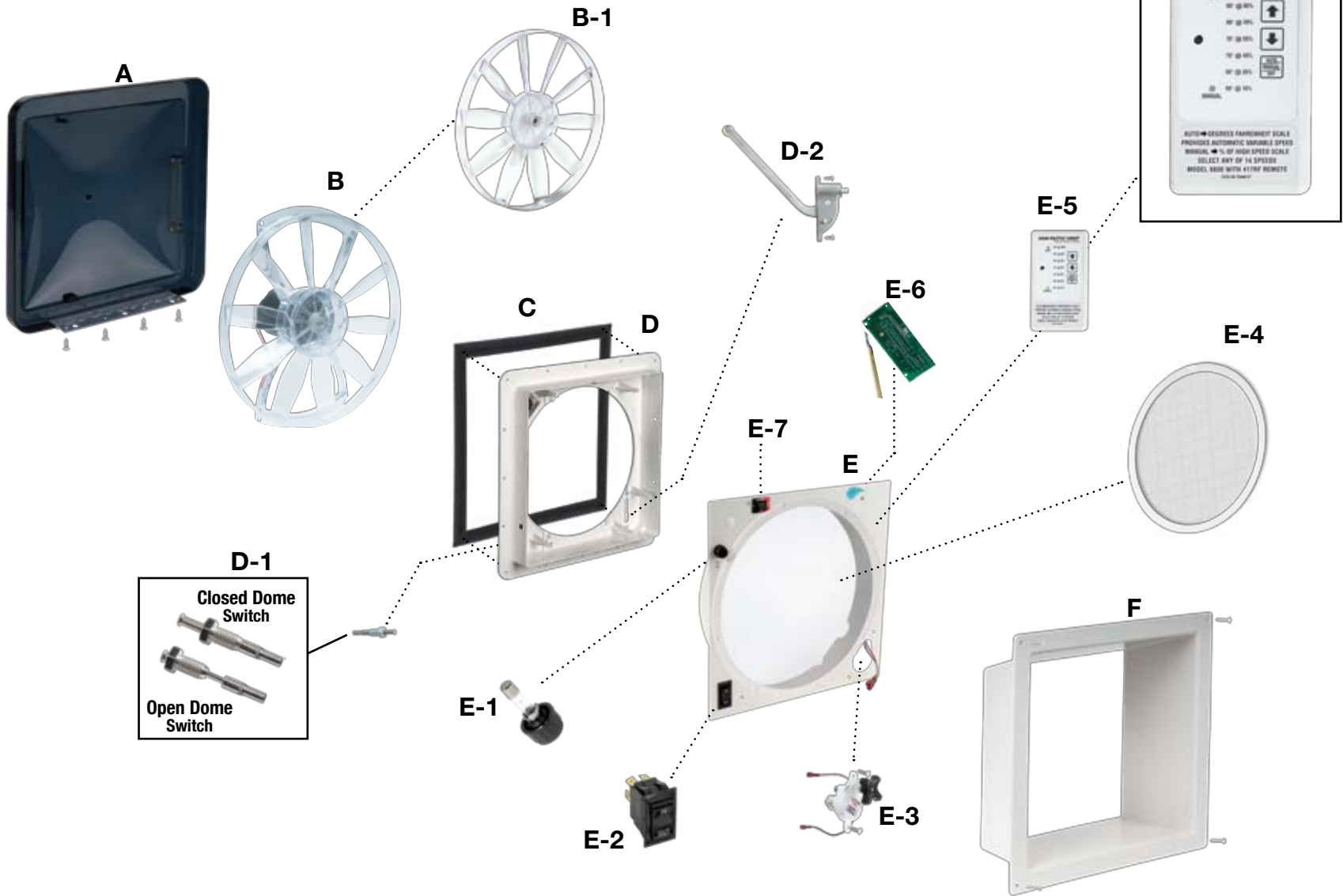
Distributor Model 6000RBTA



# DISTRIBUTOR MODEL-6000RBTA

ITEM #	PART #	DESCRIPTION
A	K1020-19	<b>Replacement Dome Kit</b> Kit Consists of Smoke Polycarbonate Dome, Dome Slide w/ Screws and Hinge w/ Rivets - Attached. Screws for Installation onto Base. (4-8 x 1/2" Phillips Pan Head T/S)
B	K8017-03 (Pancake Style) K4017-09 (Can Style)	<b>Motor Assembly Kit</b> Kit Consists of 12 Volt DC, Pancake or Can Style Fan Motor (Can shown), Clear Fan Blade (Our Trademark 12" - 10 Blade), Clear Bowtie (Polycarbonate Motor Mount). Screws for Installation onto Base. O.E. Wires Shortened w/ Insulated Quick Connects Applied.
B-1	1138-00	Clear Fan Blade (Our Trademark 12" - 10 Blade) "Only", with 3/32" Allen Screw Set, Specify 7 or 8 mm.
C	K1144-09	1 - 4 1/2' Length Black EPDM Rubber Seal-Ribbed. 1 - Tube Geocel 1250, (Furnished to Hold Seal to Base).
D	K4010-81	<b>Low Profile Base Kit</b> Kit Consists of Low Profile Main Base (16 Screws) Rubber Dome Seal, Dome Switch (7/16" Nut Microswitch). Screws for Installation onto Coach. (16 - 8 x 1" Phillips Flathead T/S, White)
D-1	1122-05	Dome Switch Only
D-2	2011-05	Auto Lift Arm w/ Screws Only
E	K1030-80	<b>Interior Assembly Kit</b> Interior Screen Assembly, Off-White, Pop N' Lock Screen Ring w/ Aluminum Epoxy Screen, 103J Circuit Board & Rain Sensor, 3-Speed Switch, Built-In T-Stat, Snap-In Fuse Holder w/ 1/4 Turn Cap & 4 Amp Slow Burn Fuse, 8RPM New AT Lift Motor & Screws, Auto Lift Arm w/ Screws, Fan Only On/Off Switch. Completely Prewired w/ Schematic.
E-1	1031-05	3 Speed and Off-Resistor Switch w/ Thermal Link
E-1A	1033-09	3 Speed Label - Black Polycoat 0, 1, 2, 3
E-1B	1032-05	3 Speed Set Nut - 9/16" (7/16 x 28 Unef, Zinc Steel)
E-1C	1034-80	Soft Touch Knob - Push On, Off-White
E-2	K9018-09	Snap-In Fuse Holder with 1/4 Turn Cap & 4 Amp Slow Burn Fuse
E2A	8948-00	4 Amp Slow Burn Fuse Only, (Each)
E-3	K9001-09	Black, In/Out Center-Off Reversing Switch, DPDT w/ Built-in Cross Over
E-4	K6050-80	8RPM New AT Lift Motor w/ Cap Off-White, Female Connectors and Extension Complete.
E-5	2035-80	Pop 'N Lock Screen Ring (no Screws) Off-White, w/ Aluminum Epoxy Screen
E-6	9006-05	Built-In T-Stat (Copper Capillary Style) 22° to 123°F Temp. Range
E-6A	9957-09	T-Stat Label, Dial Blue to Red (Cool to Warm) Poly Coated
E-6B	1034-80	Soft Touch Knob - Push On, Off-White
E-7	K9033-09	103J Circuit Board & Rain Sensor Only
E-8	K9033-09	Mini Up / Down Switch w/ Label
E-8A	K9031-09	Mini Up / Down Label
F	K1060-80	6" Interior Garnish Off-White

# Model 6600R/417



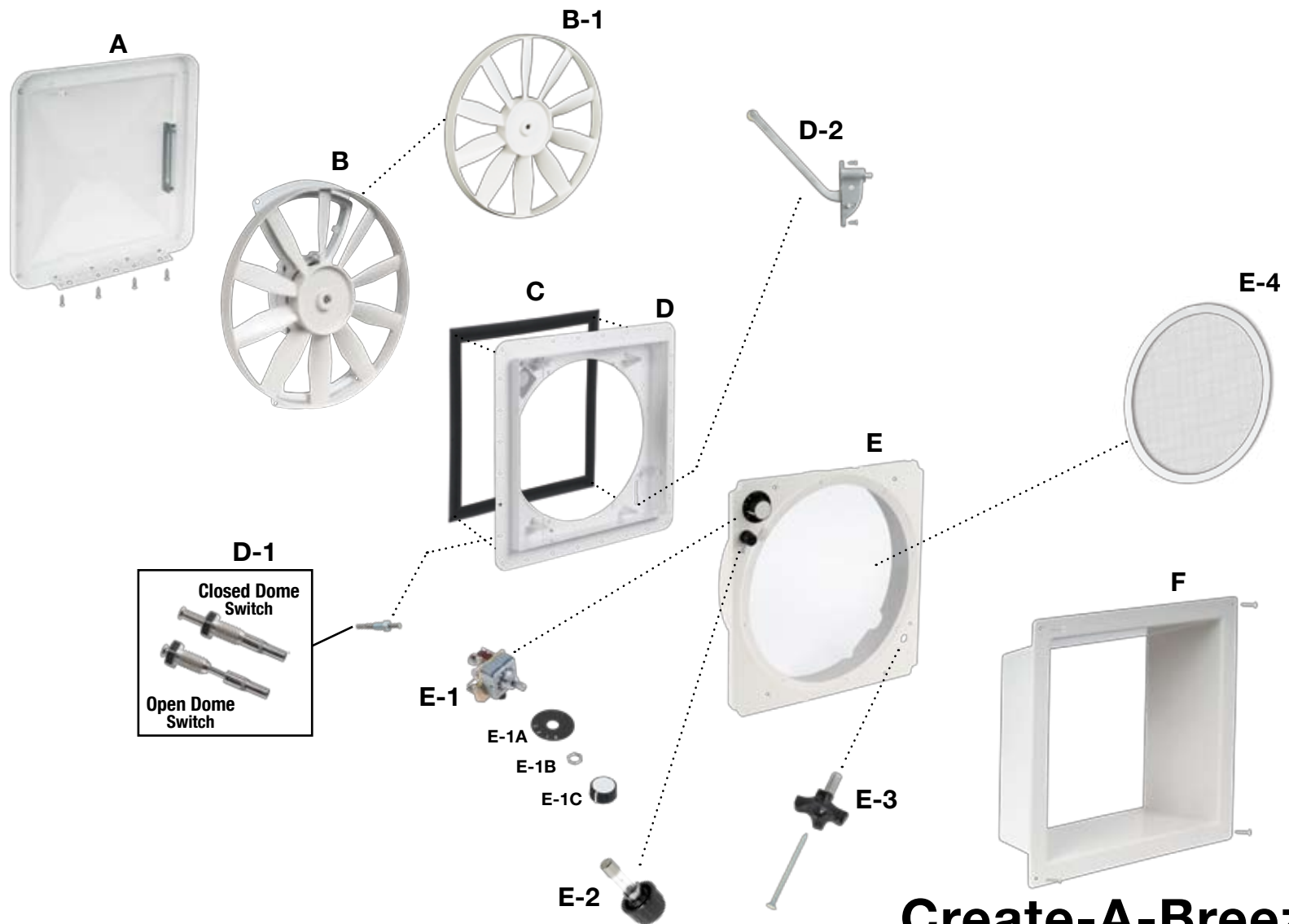
**FAN-TASTIC VENT®**

Distributor Model 6600R/417

**Distributor  
Model 6600R/417**

ITEM #	PART #	DESCRIPTION
A	K1020-19	<b>Replacement Dome Kit</b> Kit Consists of Smoke Polycarbonate Dome, Dome Slide w/ Screws and Hinge w/ Rivets - Attached. Screws for Installation onto Base. (4 - 8 x 1/2" Phillips Pan Head T/S)
B	K8017-03 (Pancake Style) K4017-09 (Can Style)	<b>Motor Assembly Kit</b> Kit Consists of 12 Volt DC, Pancake or Can Style Fan Motor (Can shown), Clear Fan Blade (Our Trademark 12" - 10 Blade), Clear Bowtie (Polycarbonate Motor Mount). Screws for Installation onto Base. O.E. Wires Shortened w/ Insulated Quick Connects Applied.
B-1	1138-00	Clear Fan Blade (Our Trademark 12" - 10 Blade) "Only", with 3/32" Allen Screw Set, Specify 7 or 8 mm.
C	K1144-09	1 - 4 1/2' Length Black EPDM Rubber Seal-Ribbed. 1 - Tube Geocel 1250, (Furnished to Hold Seal to Base).
D	K4010-81	<b>Low Profile Base Kit</b> Kit Consists of Low Profile Main Base (16 Screws) Rubber Dome Seal, Dome Switch (7/16" Nut Microswitch). Screws for Installation onto Coach. (16 - 8 x 1" Phillips Flat Head T/S, White)
D-1	1122-05	Dome Switch Only
D-2	2011-05	Auto Lift Arm w/ Screws Only
E	K6600R-81	<b>Interior Assembly Kit</b> Interior Screen Assembly, White, Pop 'N Lock Screen (no screws) white, w/ Aluminum Epoxy Screen, 107C Circuit Board & Rain Sensor, Reverse Switch, Snap-In Fuse Holder w/ 1/4 Turn Cap & 4 Amp Slow Burn Fuse, 8RPM New AT Lift Motor & Screws, Auto Lift Arm w/ Screws, Rain Override Switch. Completely Prewired w/ Schematic.
E-1	K9018-09	Snap-In Fuse Holder with 1/4 Turn Cap & 4 Amp Slow Burn Fuse
E-1A	8948-00	4 Amp Slow Burn Fuse Only, (Each)
E-2	K9001-09	Black, In/Out Center-Off Reversing Switch, DPDT w/ Built-In Cross Over
E-3	K6050-81	8RPM New AT Lift Motor w/ Cap White, Female Connectors and Extension Complete.
E-4	2035-81	Pop 'N Lock Screen Ring (no screws) White, w/Aluminum Epoxy Screen
E-5	K417-81	R-417 Hand Held Radio Frequency Remote w/ Wall Cradle
E-6	9025-90	107C Circuit Board & Rain Sensor Only
E-7	9033-09	Rain Override Switch, SPST - Mini Rocker
F	K1060-81	6" Interior Garnish White with screws (4 - 6 x 3/4" Phillips Flat Head, White)

# Model 8000 Create-A-Breeze®



**Create-A-Breeze®**  
by **FAN-TASTIC VENT®**  
Distributor Model 8000

# Distributor Model 8000 Create-A-Breeze®

ITEM #	PART #	DESCRIPTION
A	K8020-81	<b>Replacement Dome Kit</b> Kit Consists of: White (Opaque) ASA Dome, Dome Slide and Hinge w/ Rivets - Attached. Screws for installation onto base included. (4 - 8 x 1/2" Phillips Pan Head T/S)
B	K8017-03 (Pancake Style) K4017-09 (Can Style)	<b>Motor Assembly Kit</b> Kit Consists of 12 Volt DC, Pancake or Can Style Fan Motor, White (Opaque) ASA Fan Blade (Our Trademark 12" - 10 Blade) and Bowtie (Motor Mount). Screws for installation onto base.
B-1	8138-81	White (Opaque) Fan Blade (Our Trademark 12" - 10 Blade) "Only", with 3/32" Allen Screw Set, Specify 7 or 8 mm.
C	K1144-09	1 - 4 1/2' length Black EPDM Rubber Seal. 1-Tube Geocel 1250, (Furnished to hold Seal to Base).
D	K8010-81	<b>High Profile Base Kit</b> Kit Consists of High Profile Main Base (28 Screws), Auto Lift Arm, EPDM Rubber Dome Seal and Dome Switch (7/16" Nut Microswitch). Screws for installation onto coach. (28 - 8 x 1" Phillips Flat Head T/S, White)
D-1	1122-05	Dome Switch Only
D-2	1140-09	Manual Lift Arm Only
E	K1030-81	<b>Interior Assembly Kit</b> Interior Screen Assembly, White Pop 'N Lock Screen (no screws), w/ Aluminum Epoxy Screen, 3-Speed Switch, Snap-In Fuse Holder w/ 1/4 Turn Cap & 4 Amp Slow Burn Fuse, Manual Lift Arm w/ Screws, Completely Prewired w/ Schematic.
E-1	1031-05	3 Speed and Off-Resistor Switch w/ Thermal Link
E-1A	1033-09	3 Speed Label - Black Polycoat 0, 1, 2, 3
E-1B	1032-05	3 Speed Set Nut - 9/16" (7/16 x 28 Unef, Zinc Steel)
E-1C	1034-81	Soft Touch Knob - Push On, White
E-2	K9018-09	Snap-In Fuse Holder Only w/ 4 Amp Slow Burn Fuse, Complete
E-2A	8998-00	4 Amp Slow Burn Fuse Only (Each)
E-3	K1140-09	Black, Dome Raising Knob
E-4	2035-81	Pop 'N Lock Screen (no screws) White, w/ Aluminum Epoxy Screen
F-Option 2	K1060-81	6" White Garnish w/ Screws